

PAS850D

Designed for helping facilities comply with CDC, JCAHO, OSHA, or USP<797> requirements, the ducted PAS850D incorporates certified HEPA filtration with high dosage UV lamps for cleaning and disinfecting air in high risk or critical areas. With convenient single panel access to all replacement parts, the PAS850D can be located above ceilings and ducted to create negative pressure or positive pressure, or for air recirculation within a room. Typical applications include Isolation Rooms, Operating Rooms, Compounding Pharmacies, and Emergency Rooms.



PAS850D-UV

SPECIFICATIONS

DIMENSIONS AND WEIGHT
40L x 28 1/2 D x 14"H, 80 lbs.

AIR FLOW
Up to 850 cubic feet per minute @ 115V/60 Hz
Up to 725 cubic feet per minute @ 230V/50 Hz
Full Variable Speed Control

ELECTRICAL
115V/60Hz @ 6.9 amps
230V/60Hz @ 3.4 amps

TECHNOLOGY
Filters
PREFILTER: 12 x 24 x 4" Antimicrobial Pleat
MERV 7

HEPA FILTER: 12 x 24 x 11 1/2"
99.99% efficient @ .3 microns
Galvanized Steel Frame

Ultraviolet Germicidal Irradiation

QUANTITY: Four 22" UV lamps
LOCATION: Radiating on the HEPA inlet
UV DOSAGE: 25,848 micro-watt sec/cm²

CONSTRUCTION
Heavy Duty 18 gauge aluminum cabinet with convenient panel access to all replacement parts. Durable steel hangers are mounted at each corner for easy installation. Standard powder coating is Black. Models for exterior installation also available.

CERTIFIED HEPA FILTRATION:

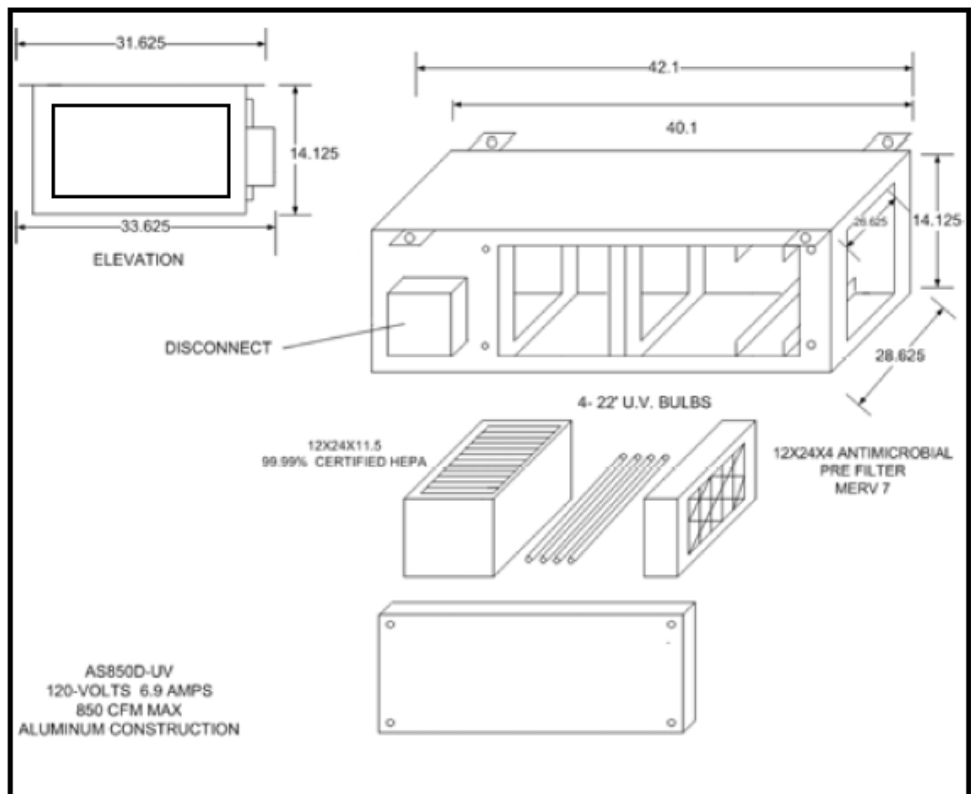
Individually certified High Capacity HEPA filter removes airborne bacteria, dust, viruses, particulate and mold at 99.99% efficiency at .3 microns. The HEPA filter in the PAS850D is mechanically sealed within the cabinet to prevent air bypass. As such, the PAS850D performs at HEPA efficiency, and each unit is individually tested and accompanied by a Certificate of Performance showing the test results.

HIGH DOSAGE UVGI (OPTIONAL):

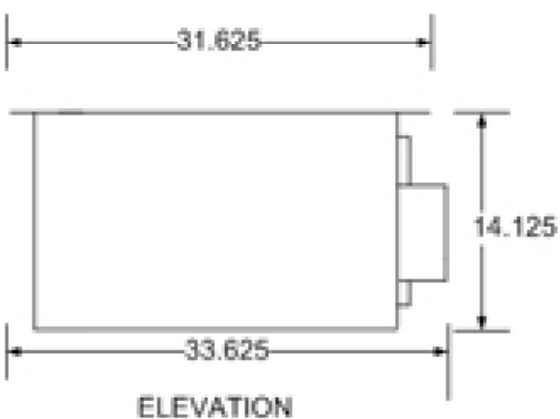
Destroys airborne bacteria and viruses. UV lamps are also located before and continually radiating on the dirty (inlet) side of the HEPA filter. This effectively destroys larger trapped microorganisms and mold, which due to their size may be difficult to destroy when airborne. Separate UV controls allow the lamps to be illuminated while the fan motor is off to deactivate all microorganisms prior to filter replacement, allowing for safer unit maintenance.

WALL MOUNTED CONTROL BOX

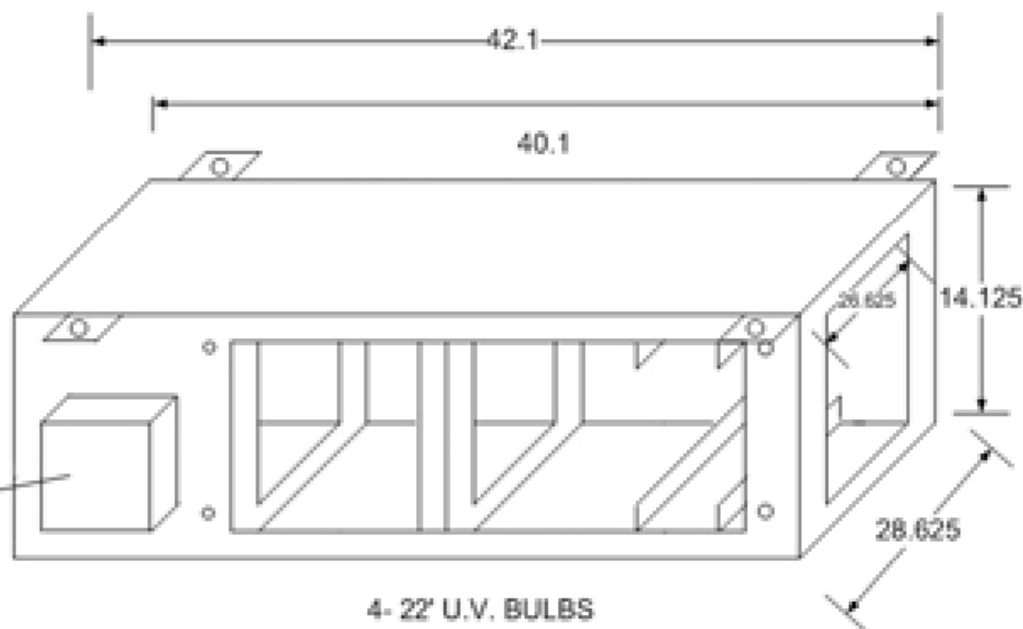
All controls for the PAS850D are remotely wall mounted for easy access and monitoring, including all indicator lights, the digital HEPA monitor, and the variable speed control.



Further information:
BERRIMAN ASSOCIATES
1-800-480-3630
www.berriman.com

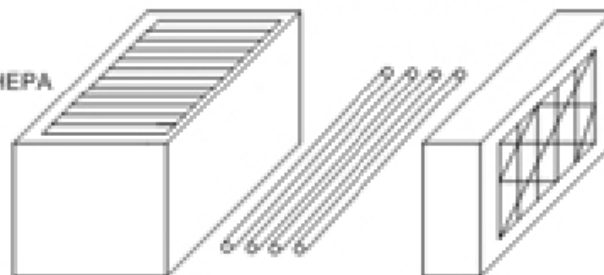


DISCONNECT



4- 22' U.V. BULBS

12X24X11.5
99.99% CERTIFIED HEPA



12X24X4 ANTIMICROBIAL
PRE FILTER
MERV 7

850D-UV
120-VOLTS 6.9 AMPS
850 CFM MAX
ALUMINUM CONSTRUCTION



Further information:
BERRIMAN ASSOCIATES
1-800-480-3630
www.berriman.com
A850D-UV

DRAWING NO. 0206850V01